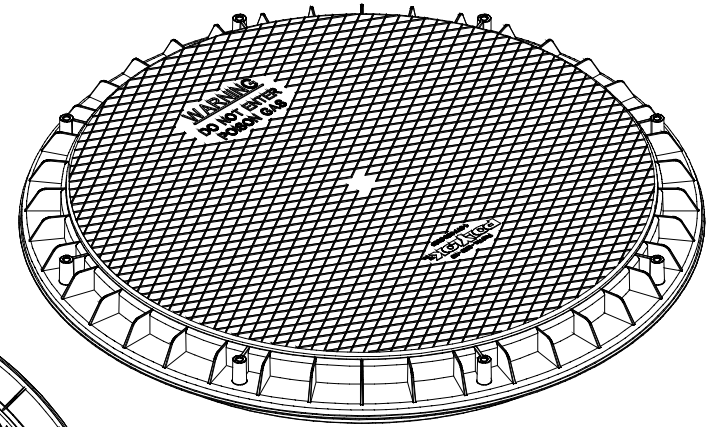
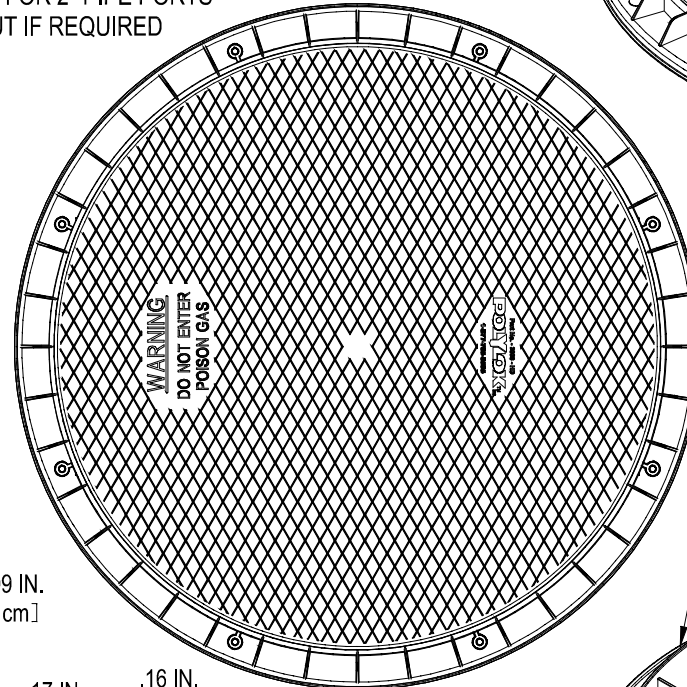
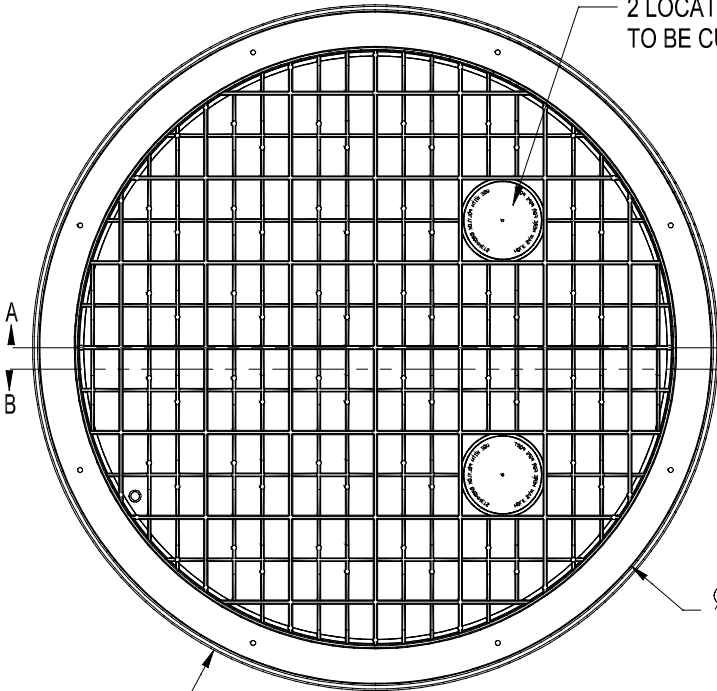


SECTION A-A



2 LOCATIONS FOR 2" PIPE PORTS
TO BE CUTOUT IF REQUIRED

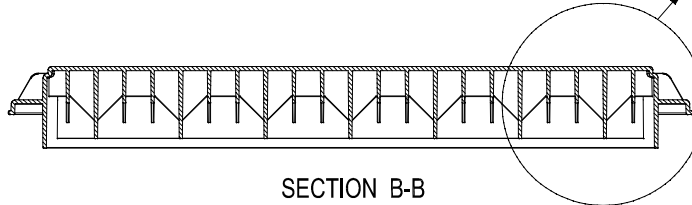
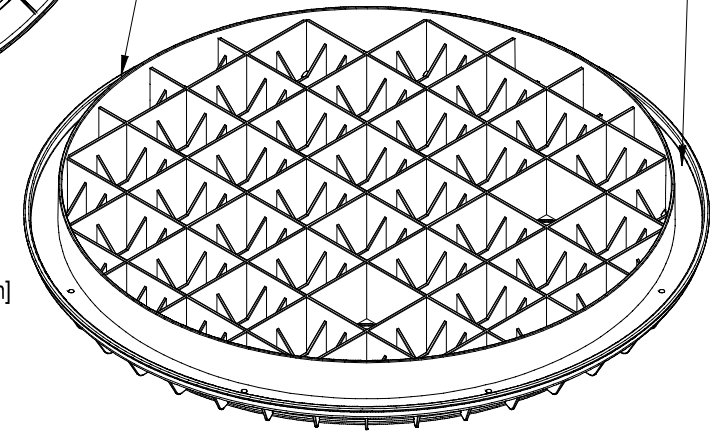
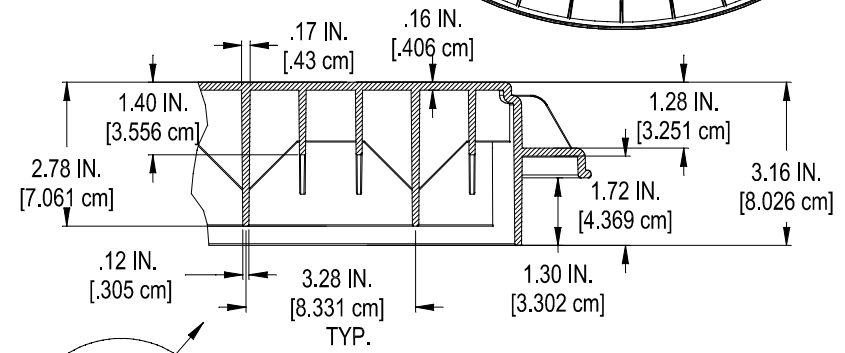


BOTTOM DETAIL FITS POLYLOK
PART NO. - 3008
3008-R12
3008-R12B
3009-AR
3009-RTR24
3008-RP
AND ALL 24" SMOOTH WALL
CORRUGATED AND RIBBED PIPE

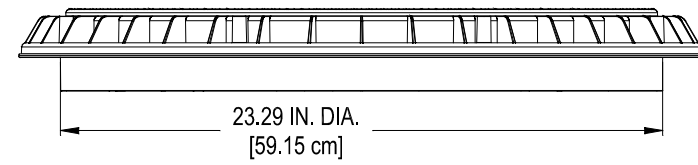
EPDM FOAM GASKET
INSTALLED HERE

Ø26.52 IN.
[67.4 cm]

Ø25.99 IN.
[66.0 cm]



SECTION B-B



POLYLOK 24" HEAVY COVER
PART NO. 3008-HD
MATERIAL - HDPE
COLOR - GREEN